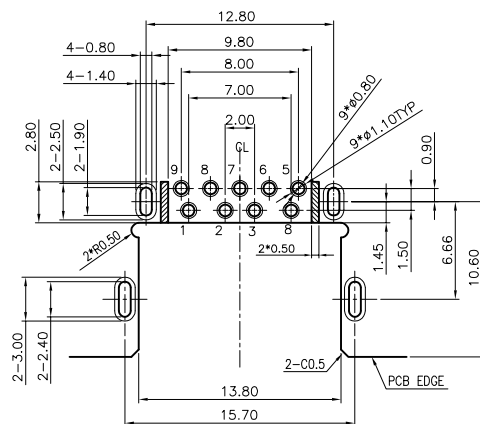
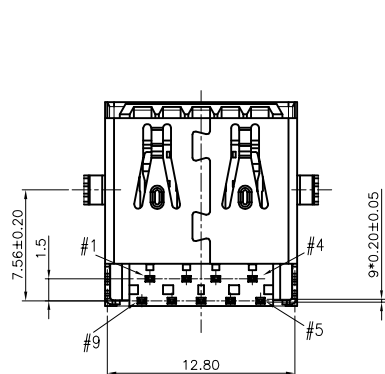
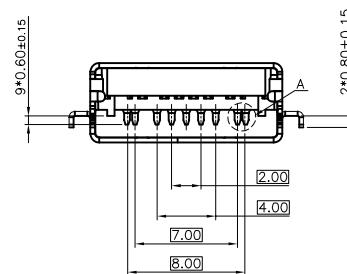
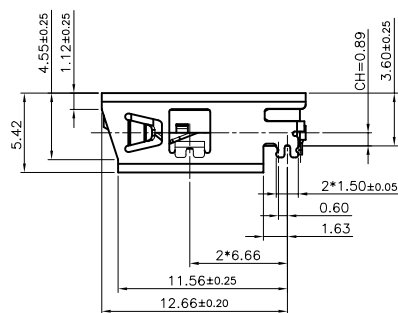
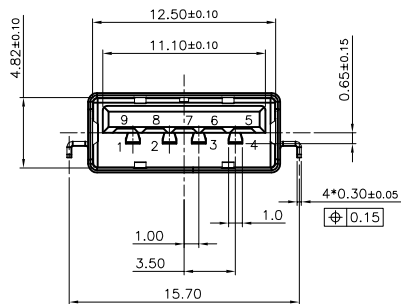


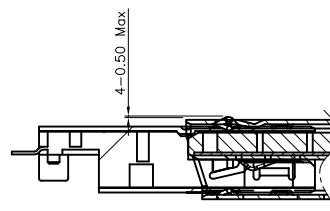
DETAIL: A
SCALE 4: 1

NOTES:

- 1.MATERIAL:
 - 1.1 HOUSING: SEE TABLE
 - 1.2 CONTACTS: SEE TABLE
 - 1.3 SHELL: SEE TABLE
- 2.FINISH:
 - 2.1 CONTACT: SEE P/N
 - 2.2 SHELL: SEE TABLE
- 3.THE CONNECTOR IS RoHS COMPLIANT.
- 4.DATE CODE: XXXXXX
 - YEAR
 - MONTH
 - DATE
- 5.SPEC. PLS. REFER TO PS-55928-XXXXX-XXX(ASUS)
- 6.PACKAGE PLS. REFER TO 55980-XXXXX-XX-TRP
- 7.P/N: 55980-009 X X-XXX
 - CKTS
 - PACKING
 - 0: TAPE&REEL
 - PLATING:
 - 001: BLUE
 - 2: GOLD FLASH ON CONTACT AREA



RECOMMENDED PCB LAYOUT
(COMPONENT SIDE,TOLERANCE:±0.05)



PLUG LOCK

NO	DESCRIPTION	Q'TY	MATERIAL	PLATING & COLOR
C	SHELL	1	STAINLESS STEEL	50u" MIN. NICKEL PLATED
B	TERMINAL	9	COPPER ALLOY	50u" MIN. NICKEL UNDERPLATED CONTACT AREA: SEE P/N SOLDER AREA: 100u" MIN. MATTE TIN PLATED
A	HOUSING	1	HIGH TEMP. THERMOPLASTIC	UL 94V-0, COLOR: SEE P/N

Pin #	SIGNAL NAME
1	VBUS
2	D-
3	D+
4	GND
5	StdA_SSRX-
6	StdA_SSRX+
7	GND_DRAIN
8	StdA_SSTX-
9	StdA_SSTX+
Shell	Shield

一般公差 TOLERANCES X +0.5 .XX ±0.15 X ±0.25 .XXX ±0.1 ANGLES ±2°		宏致電子股份有限公司 Aces Electronics Co.,Ltd.			
檢驗尺寸標示 SYMBOLS INDICATE CLASSIFICATION DIMENSION MARK IS CRITICAL DIM. MARK IS MAJOR DIM.				品名 (TITLE) USB3.0 STD SINK A TYPE T/H R/A CH=0.89mm 圖號 (DWG NO.) 55980-XXXXX-XXX	
表面處理 (FINISH)		比例 (SCALE)	單位 (UNITS)		製圖 (DR) 16/07/27 TINA 審核 (CHKD) DAVID 核准 (APPD) JACK
		1:1	mm	張數 (SHEET) 1 OF 1 圖號 (DWG NO.) 55980-XXXXX-XXX	尺寸 (SIZE) A4 版本 (REV) 0